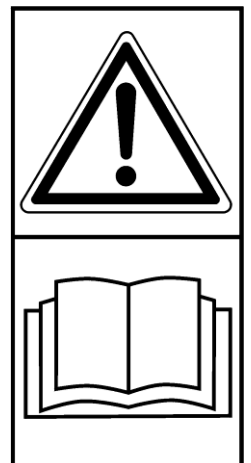




Instructions for use and maintenance

Sand spreader SP50



Note!
Read instructions before use



TREJON FÖRSÄLJNING AB
Företagsvägen 9
SE-911 35 VÄNNÄSBY
SWEDEN
Tel: + 46 (0)935 39 900
Fax: + 46 (0)935 39 919



■ TABLE OF CONTENTS

1	General Information	6
1.1	Description.....	6
1.2	Technical specification	6
2	Safety instructions	7
2.1	Safety directions	7
3	Using the equipment	8
3.1	Before starting up	8
3.2	Adjustment of spreading quantity	8
3.3	Spreading	9
4	Service and maintenance	9
4.1	Service points	9
4.2	Before you start a new season	9
4.3	After the end of the season	9
5	Spare parts.....	10
	EC-Certificate of Conformity	14

SAFETY SYMBOLS

Note! This warning symbol is used throughout this instruction manual to call attention to safety precautions that you, your employees or any other people that may come near the implement must read and understand. Failure to follow these instructions may result in serious injury or even death.

This symbol means:



**WARNING!
CAUTION!
YOUR SAFETY IS
ENDANGERED!**

A word of advice

Pay special attention to the words **WARNING!**, **CAUTION!** and **NOTE!** in the safety instructions. The words have been chosen from of the following:



WARNING! This safety sign is used to identify potential hazards that can lead to serious injury or even death. These hazards include situations that may occur when the safety equipment and/or the safety shields are removed. Signal words can also be used to alert about dangerous use.



CAUTION! Failure to observe this warning sign could result in light personal injuries. The sign is also used to indicate that the disregarding of these instructions may cause damage to the implement.

Dear Customer,

You have made a good choice. We congratulate you to your selection of a TREJON product that offers quality and performance with reliable service.

By reading the manual and following its recommendations you will ensure the long and effective use of the equipment.

We have produced this manual for you to get a good understanding of the functioning of the equipment and what safety and maintenance instructions to follow when working with it. If any question should arise when using the equipment or when reading this manual, you are welcome to contact us for further information.

TREJON AB
Företagsvägen 9
SE-911 35 Vännäsby
Sweden

Tel: + 46 (0)935 39 900
Fax: + 46 (0)935 39 919
Email: info@trejon.se
Website: www.trejon.se

Honoured retailer,

In order for the guarantee to be valid and to for fill all legal requirements, we ask you to fill out the guarantee form together with the customer and register at trejon.se

The guarantee is valid from the day the equipment is handed over to the customer.

Delivery checklist:



Check for damages caused in transporting. Inform the transporting company.	
Having gone through and explained to the customer, with the help of the manual, the startup, use and maintenance of the equipment and it's accessories.	
Fill out the guarantee form with the customer and register at trejon.se	
Instruction manual given to the customer.	

Enter the serialnumber of the equipment to the right.	S/N:
---	------

1 General Information

Thank you for choosing our Optimal sand-spreader. We have worked hard to manufacture a strong and reliable sand-spreader that will last for many years. As the machine's service life does not depend solely on us but also on you we have prepared the guidelines that describe the proper use and maintenance of the machine. Please read the whole manual carefully before operating the machine. If you want to order spare parts or need service, please contact the company where you bought the machine. When submitting the order for the spare parts, specify the model, type and serial number from the name plate on the chassis of the machine.

1.1 Description

The OPTIMAL sand-spreader is a simple and easy-to-operate machine for spreading sand (0-4 mm), chip stone (2-8 mm) and salt. It is recommended that the spreading material is sifted into correct fractions. Spreading material with larger size than described can damage the machine. A too fine grained sand that hold water must be avoided, when it builds up vaults which prevent material to flow down for spreading.

The sand-spreader is hand pushed and mechanical driven by one of the wheels. Material is spread by a rotating steel roller at the bottom of the bucket. The roller is rotating as long as the sand-spreader is pushed forward.

The flow of material spread can be adjusted with a rubber flap that is pressed against the spreading roller. Rubber flap is maneuvered by a handle on left side of the machine.

1.2 Technical specification

Model	SP50
Spreading width, cm	60
Capacity, liters	50
Weight, kg	30
Cover plates	No

Due to continuous product development, any data is subject to change without prior notice.

2 Safety instructions



2.1 Safety directions

Read this user manual and the safety directions carefully before using the equipment for the first time.

Erroneous or negligent use of this equipment can lead to serious accidents. This equipment is only for outdoor use.

- Read and understand the contents of this manual on the use of this equipment.
- Learn and practice the controls and the way the equipment works before using it.
- Let the machine work by itself; do not try to help using your fingers or hands.
- Check, adjust and maintain the equipment according to this manual.
- To maintain and adjust this equipment, it must be placed on a firm, level surface.
- Take care that arms or legs do not touch the moving parts of the equipment.
- Make sure that all protective parts are properly in place and that they are in good condition.
- When working in the dark hours, make sure there is sufficient lighting in the working area.
- Do not use the equipment if it is vibrating or shaking. Stop and investigate the cause. Change any damaged parts.

Attention also has to be paid to the following:

- You may not transport people on the equipment.
- Unauthorized persons, particularly children, may not stay in the proximity of equipment that is working or being repaired.
- Persons under the influence of alcohol or drugs are prohibited to work with the equipment.
- It is forbidden to work with this equipment if the protections for the moving parts or axles are missing.
- Be careful when working on uneven ground, reduce speed.
- Clean the equipment carefully before you repair it or put it away.
- Protect bearings before any welding is done.

Use only original spare parts for the equipment.

If you have any questions about the equipment or how it works, contact your retailer or TREJON AB

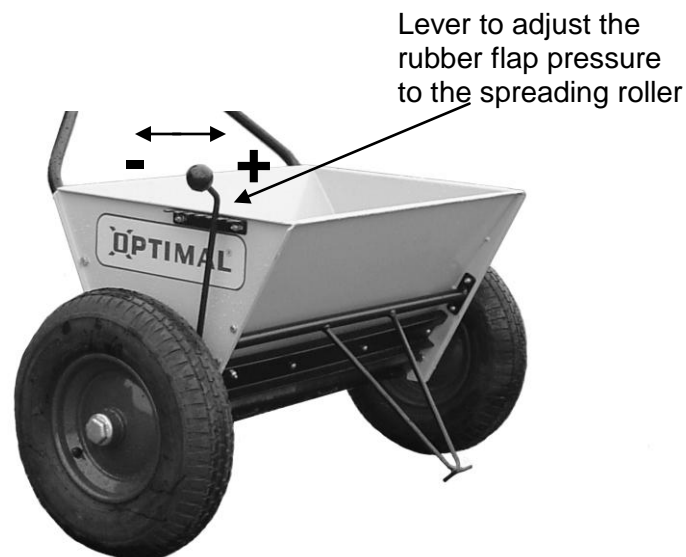
3 Using the equipment

3.1 Before starting up

- Mount the handle (pos.2 at spare part list) to the sand-spreader. Fix the handle with screws and nuts.
- Lubricate the machine before starting to use it. There are two grease nipples (one on each bearing chamber).

3.2 Adjustment of spreading quantity

The pressure of the rubber flap against the roller regulates the quantity of spreading material.



- *Decreases the rubber flap pressure*
- + *Increases the rubber flap pressure*

The pressure of spring-loaded plate against the rubber flap is to be adjusted so as to achieve the desired spreading density by the weakest possible pressure against the spreading roller. Therefore you decrease the wear of the rubber flap. If the rubber flap is worn it can be reversed.

The material in the spreader can be emptied by putting the lever at the side of the bucket towards " - " until a slot appears between the rubber flap and the roller (the lever has to be put outside the toothed scale).

The emptying of the bucket is more efficient if the spreading roller is rotating.



Ease the tension of the rubber flap when the machine is not in operation.

3.3 Spreading

Fill the sand-spreader with spade or from sack. The material used must not contain stones or frozen pieces. Adjust the machine according to the work to be done.

When spreader is pushed forward the spreading roller is starting to rotate and there by beginning the spreading. When spreader is pulled backwards the spreading roller doesn't rotate (and machine doesn't spreading any material).

The machine must be cleaned and oiled each time after you have finished working. Ease the tension of the rubber flap when the machine is not in operation. This will help to spare the rubber flap and provides better contact surface.

4 Service and maintenance

4.1 Service points

Position	Interval	Type	Amount
Spreading roller	Yearly	Grease	2 pieces
Tyres	Yearly	Check air pressure (3bar)	2 pieces

4.2 Before you start a new season

Please perform all the necessary operations and checks described above. Proper maintenance will help to increase the machine's service life considerably.

4.3 After the end of the season

The machine must be cleaned, oiled and maintained properly before storage. After the machine has dried we recommend to apply a thin layer of oil over the places where the material spread has scratched off the paint.



Ease the tension of the rubber flap when the machine is not in operation.

5 Spare parts

Your choice is between “original” or “copies”!
 Price is often the deciding factor. A “cheap” choice may well be an expensive one in the end.

Some reasons to choose TREJON spare parts:

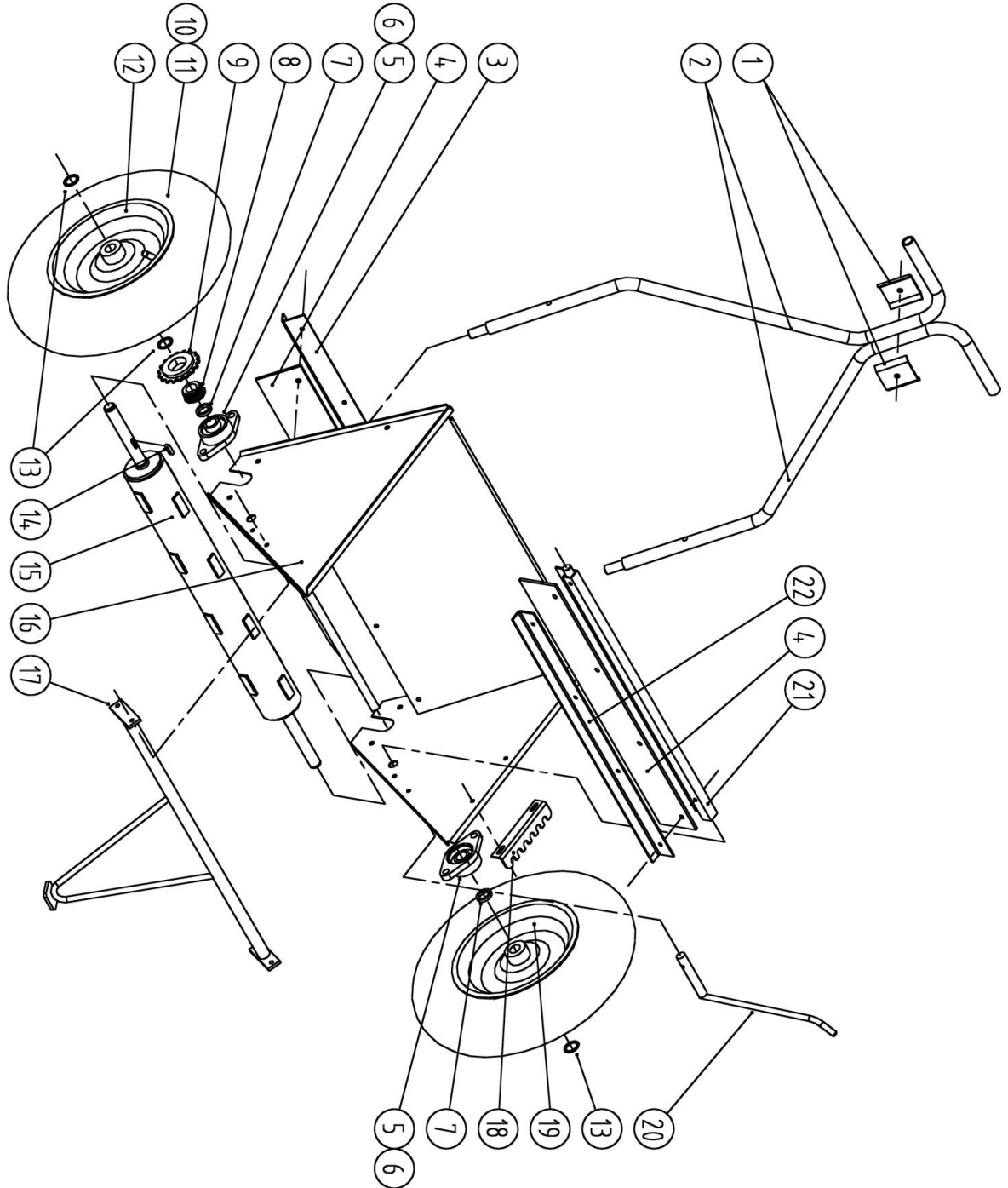
- Quality and fit.
- Reliability
- Longer service life and therefore better economics
- Guaranteed availability through the TREJON sales partners

The TREJON original spare parts are specifically made for this equipment. The fitting and/or use of non-original parts and accessories may change the technical qualities of your equipment in a negative way. The manufacturer does not give any guarantee for damages caused by using non-original parts or accessories.

The guarantee does not cover arbitrary changes made on the equipment.



If you want to order spare parts or need service, please contact the company where you bought the machine. When submitting the order for the spare parts, specify the model, type and serial number from the name plate on the chassis of the machine.



Ref	Pos	Beskrivning	Art. Nr.	Antal	Associerade komponenter	Antal	Anmärkning
1		Fixing plate	23 627	2	screw M8x40	1	
					nyloc nut M8	1	
2		Handle	23 811	2	screw M8x35	2	
					nylock nut M8	2	
3		Angle	23 618	1	screw M6x16	4	
					nyloc nut M6	4	
4		Rubber flap	23 617	2			
5		Bearing 6204 2RS	6204-2RS	2			
6		Bearing chamber FL-204	FL-204	2	screw M8x25	4	
					nyloc nut M8	4	
					washer 8x16xx1,5	4	
7		Bush	23 529	2			
8		Bush	63 401	1			
9		Free run wheel 5270- 130-190		1			
10		Tyre 4.80/20-321		2			
11		Inside hose 4,5x85x668		2			
12		Wheel right	23 816	1	lock ring I20	1	
13		Washer 0420-20-321		4			
14		Wedge 6x6x17	23 527	1			
15		Spreading roller	23 815	1			
16		Frame	23 810	1			
17		Support leg	23 812	1	screw M6x16	4	
					nyloc nut M6	4	
18		Fixing plate	23 623	1	screw M6x16	2	
					nyloc nut M6	2	
19		Wheel left	4,80/20-321	1			
20		Lever rubber flap	23814	1	screw M6x30	1	
					nyloc nut M6	1	
21		Rubber flap	23617	1			
22		Angle	23629	1	screw M6x16	4	
					nyloc nut M6	4	



EC-Certificate of Conformity

conforming to EEC Directions 2006/42/EG

We **TREJON FÖRSÄLJNING AB**
 (name of supplier).....

Företagsvägen 9, SE- 911 35 Vännäsby

.....
 (full address of company – where this concerns authorized agents within the Common Market, also state the company name and manufacturer)

declare in sole responsibility, that the product

Sand spreader SP50

.....
 (make, model)

to which this certificate applies, conforms to the basic safety and health requirements of EEC Directions 2006/42/EG,
 (if applicable)
 and to the other relevant EEC Directions.

— — —

 (title and/or number and date of issue of the other EEC Directions)

(if applicable)
 To effect correct application of the safety and health requirements stated in the EEC Directions, the following standards and/or technical specifications were consulted:

EN ISO 12100-1 : 2003 EN ISO 12100-2 : 2003

.....
 (title and/or number and date of issue of standards and/or specifications)



Håkan Johansson
Managing Director

Vännäsby, 01.01.2010

.....
 (Place and date of issue)

.....
 (Name and job function of authorized person)



TREJON AB
Företagsvägen 9
SE – 911 35 Vännäsby

Guarantee- /assignment certificate

- Guarantee terms** - Valid between retailer (Trejon AB dealer) and machine purchaser.
- General about guarantee** - In order to obtain valid guarantee terms set forth below, and the specific guarantee terms set by each provider. These are attached to the user manual for each machine, as appropriate.
- Validity of guarantee** - The guarantee is 12 months from date of purchase.
In some cases, the guarantee can be limited by running time.
- The guarantee covers** - Damaged parts, which have broken down because of defective production operations of materials in course of normal use of the machine.
- Only the labor cost for replacement of defective warranted part.
- The guarantee does not cover** - Transport costs applicable to the machine or the parts.
- Travel costs.
- Any resulting costs incurred as a result of damage to the machine.
- If the machine has been modified by the owner.
- Damage due to normal wear and tear of the machine – Not related to manufacturing defects, poor service, user inexperience or use of spare parts that are not original.
- Excessive or inappropriate use of the machine.
- The guarantee is not applicable to parts which are subject to wear, for example hoses, sealing, oil, belts, batteries, chains, knives etc.
- The guarantee period for replaced parts during the guarantee period expires with the machine's guarantee.
- Normal adjustments, maintenance or supervision
- Guarantee procedures** - Contact place of purchase as soon as any damage or malfunction is detected.
Do not use the machine if the damage can be worse.
- Guarantee repairs must be performed by Trejon AB approved workshop.

ATTENTION!

The guarantee shall enter into force provided that the machine **GUARANTEE/ ASSIGNMENT CERTIFICATE** has been fully completed and signed by both parties (archived by the seller), and recorded on the Trejon web portal no later than 14 days from date of sale (the seller is responsible for this happening).

Assignment certificate:

Machine Buyer shall confirm with his signature that he had received manual containing operating instructions, and received information about the operating, security and maintenance requirements described in this and made the final inspection of the machine.

PLEASE FILL IN!



Product:	_____	Serialno.	_____
Salesman:	_____	Company:	_____
Signature of salesman:	_____	Date of purchase:	_____
Name of buyer:	_____	Telephone:	_____
E-mail:	_____		
Address:	_____	Zipcode:	_____
City:	_____	Country:	_____
Date:	_____	Signature of buyer:	_____

TREJON AB reserves the right to change or to improve shown models using technical or commercial reasons, without demands to carry out the same improvements on equipment already delivered. Pictures in the manual do not necessarily show the equipment as delivered.

Technical data, weights and measures are without obligation. Reservation for faults.

© 2016 Trejon AB, Sweden

Copying, translation and excerpts are only permitted with a written permit from TREJON AB, Företagsvägen 9, SE – 911 35 Vännäsby.

All rights reserved.



TREJON FÖRSÄLJNINGS AB

Företagsvägen 9
SE-911 35 VÄNNÄSBY
SWEDEN
Tel: + 46 (0)935 39 900
Fax: + 46 (0)935 39 919
Webb: trejon.se