

From serial number 0814XXXX and onwards



# Instructions for Use and Maintenance

## Circulus-bucket sweeper C190/C220/C220L/C250



**Note!**  
Read instructions before use



**TREJON FÖRSÄLJNINGS AB**  
Företagsvägen 9  
SE-911 35 VÄNNÄSBY  
SWEDEN  
Tel: + 46 (0)935 39 900  
Webb: trejon.se



# INTRODUCTION

Congratulations on your new ROTATING TREJON CIRCULUS BUCKET SWEEPER! The product is designed and manufactured by Trejon AB and made of first-rate materials. It features components supplied by well-known manufacturers. Strict quality requirements and quality control criteria have been observed during all phases of design and production. This manual contains the instructions needed to use and maintain the sweeper in an efficient manner. By following the instructions in this manual carefully, you will ensure a long and trouble-free service life for your sweeper.

Please make sure that every driver and person in charge of maintenance reads this manual thoroughly before using the sweeper or starting maintenance work. Attention must be paid to safety factors in all situations. This manual is part of the sweeper and must be transferred to the new owner upon sale or handover.

Should this manual be lost or become illegible, obtain a new manual immediately from Trejon AB or via the company website at [www.trejon.se](http://www.trejon.se)

Due to the continuous nature of its product development, Trejon AB reserves the right to make structural and technical changes without advance notification. Therefore, it is possible that some information in this manual may have changed after printing.

Please contact Trejon AB or the retailer of the sweeper if you need more information on the use or maintenance of the sweeper.

The content of this manual is based on information available in March 2015.

Trejon AB cannot be held liable for any errors or deficiencies in the manual.

## SAFETY COMES FIRST



*In this manual, this safety symbol is featured next to all important safety-related information. Pay particularly close attention to these sections and observe all safety instructions carefully.*

In addition to the instructions of this manual, all the effective laws, decrees and regulations must be followed when using and maintaining the Circulus bucket sweeper.

The maintenance and adjustment instructions in this manual must be followed. This ensures that the sweeper can be used safely and without interruptions.

If a fault occurs in the sweeper, please contact the retailer's maintenance service. Stop working immediately, if there is even the smallest chance of injury.

Do not exceed the manufacturer's recommended operating temperature ranges and pressure levels for the hydraulics.

Never disconnect a hydraulics hose by pulling on the hose, never paint a hose and never tighten the hydraulics connectors excessively, to prevent damage.

## TABLE OF CONTENTS

1.	DECLARATION OF CONFORMITY .....	3
2.	PURPOSE OF USE.....	4
3.	SAFETY INSTRUCTIONS.....	4
3.1	General.....	4
3.2	Warning labels.....	5
4.	IDENTIFYING INFORMATION AND SPARE PARTS .....	7
4.1	Type plate.....	7
4.2	Spare parts .....	8
5	MAIN COMPONENTS OF THE SWEEPER.....	9
5.1	Sweeper from the side .....	9
5.2	Sweeper from the top .....	9
6	CONNECTING THE SWEEPER TO THE VEHICLE .....	11
6.1	Attaching the sweeper .....	11
6.2	Detaching the sweeper .....	11
6.3	Adjusting the sweeper .....	12
6.4	Sweeping.....	13
6.5	Using the high-pressure dust suppression system.....	13
6.6	Using the irrigation system .....	16
6.7	Driving the vehicle to another location.....	17
7	MAINTENANCE.....	18
7.1	General.....	18
7.2	Daily maintenance.....	19
7.3	Weekly maintenance.....	19
7.4	Cleaning the nozzles.....	20
7.5	Maintenance after the sweeping season .....	20
7.6	Replacing the brush discs.....	21
8	TECHNICAL DATA.....	23
8.1	Hydraulics diagrams .....	23
8.2	Electrical diagrams .....	24
9	WARRANTY TERMS .....	25

# 1. DECLARATION OF CONFORMITY

## EC-Certificate of Conformity

Conforming to EEC Directions 2006/42/EG

We **TREJON FÖRSÄLJNING AB**  
 (name of supplier) .....

**SE – 911 35 Vännäsby, Företagsvägen 9**  
 .....  
 (full address of company – where this concerns authorized agents within the Common Market, also state the company name and manufacturer)

Declare in sole responsibility, that the product

**Optimal Bucket sweeper**  
**Circulus 190, Circulus 220, Circulus 220L and Circulus 250**

.....  
 (make, model)

to which this certificate applies, conforms to the basic safety and health requirements of EEC Directions 2006/42/EG,  
 (if applicable)  
 and to the other relevant EEC Directions.

-----  
 (title and/or number and date of issue of the other EEC Directions)

(if applicable)

To effect correct application of the safety and health requirements stated in the EEC Directions, the following standards and/or technical specifications were consulted:

**EN ISO 12100-1 : 2010      EN ISO 12100-2 : 2010**

.....  
 (title and/or number and date of issue of standards and/or specifications)



**Henrik Johansson**  
**Managing Director**

**Vännäsby, 2016.12.01**

.....  
 (Place and date of issue)

.....  
 (Name and job function of authorized person)

## 2. PURPOSE OF USE

The rotating Circulus bucket sweeper is designed for cleaning pavements, yards and streets. It has a high collection capacity and good sweeping result, when driving both forwards and in reverse. Furthermore, the brush can move sideways, which enables reaching pavement edges and the walls of buildings without a side brush. To achieve the best result, select the correct sweeper for your vehicle.

The sweeper can be equipped with a high-pressure dust suppression system and a pressure washer. High-pressure dust suppression ensures dust-free sweeping, and the pressure washers enables the cleaning of areas that are difficult to reach, as well as the vehicle. The Circulus sweepers can also be equipped with a side brush that can be switched off and lifted, as necessary.

## 3. SAFETY INSTRUCTIONS



*Please read and observe the following safety-related instructions carefully.*

### 3.1 GENERAL

Ensure that a sweeper of this type and weight can be attached to the tractor/loader in question.

Only persons who have familiarised themselves with the device and its functions may operate it.

Familiarise yourself with the sweeper and its operation before you start using it in a safe area in which hazardous situations are not likely.

Observe all warning and instruction labels on the sweeper. Do not operate the sweeper under the influence of alcohol, medication or narcotic substances. Fatigue may also lead to hazardous situations.

Never get close to the sweeper when the hydraulics system is connected, because a system failure may cause a crushing hazard.

Before use, ensure that all sweeper maintenance has been conducted correctly and on time.

Check the wear and adjustment of mechanical parts, and immediately replace any worn and damaged parts. Check the tightness of the bolts and nuts at regular intervals.

Never position yourself under the sweeper, unless the sweeper has been supported or lifted with an appropriate and locked mechanical lifting or support device. A failure of the vehicle's hydraulics system or some other unanticipated occurrence may result in a crushing hazard.

Do not modify the structure of the sweeper, as this may lead to unanticipated safety risks.

Do not allow an inexperienced person to handle the sweeper. Any party lending the device is responsible for any damage and accidents.

## 3.2 WARNING LABELS

The warning symbols attached to the product are described below. Ensure that you understand what they mean before you start using the product.

Clean/replace any unreadable or missing warning labels. More information on ordering the labels is available from Trejon AB.

### Crushing hazard



#### Warning

Do not enter this area when the machine is running. Beware of placing your hands in this area when the machine is in operation.

Remain at a sufficient distance from the machine when it is running or in motion. Neglecting this regulation may lead to severe injury or death.

### Beware of rotating rollers



Beware of placing your hands in this area when the machine is in operation. Your clothes may also become caught between the rotating rollers.

#### Beware of rotating rollers

**Always read the instructions and safety regulations before use**



Do not operate the device before you have carefully studied all the instructions and safety regulations and ensured that you understand their content. If you do not understand something, please contact Trejon AB. Misinterpretations may lead to severe injury or even death.

**Lubricate the swivel mechanism regularly**



Lubrication

It is important to use the right kind of grease for lubricating the hydraulics rotation mechanism in order to ensure long service life for the sweeper. Suitable lubricants for the rotation mechanism are **Isoflex NBU 15** or **Mobiltemp SHC100**. The grease mentioned above is available, at least, at Finnish Würth shops.

Lubricate the device after each 50 hours of operation.

## 4. IDENTIFYING INFORMATION AND SPARE PARTS

### 4.1 TYPE PLATE

The type plate of Circulus bucket sweepers is located between the supportive structures of the support wheel (Figure 1).



Figure 1

The type plate contains the following information:

Model

Serial number

Weight

## 4.2 SPARE PARTS

Only use original spare parts in connection with maintenance and repair, and ensure that the sweeper remains in its original condition.

Always provide the type and production number of the sweeper when ordering spare parts. Record the type and serial number of the sweeper in the space below.

Type \_\_\_\_\_

Serial number \_\_\_\_\_



*Ensure the structural safety and functionality of the sweeper, and only use original spare parts.*

## 5 MAIN COMPONENTS OF THE SWEEPER

### 5.1 SWEEPER FROM THE SIDE

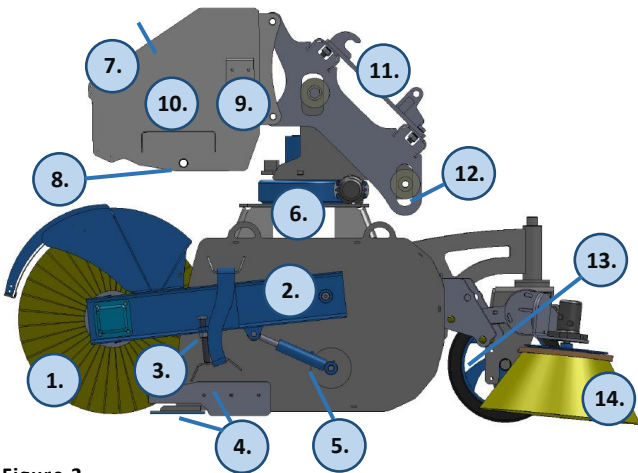


Figure 2

### 5.2 SWEEPER FROM THE TOP

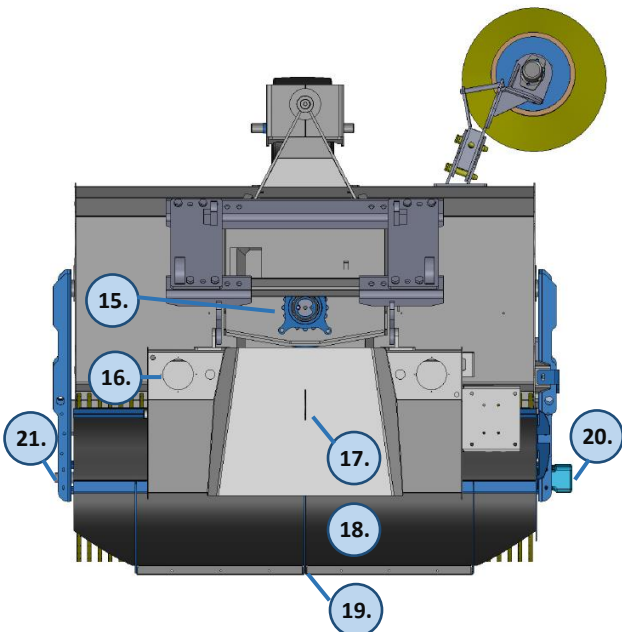


Figure 3

- 1) Brush discs
- 2) Arm
- 3) Height adjustment for arm
- 4) Bolt connected abrasion plates (under and on the sides of the device)
- 5) Lift cylinder for brush roller
- 6) Broom rotator
- 7) Water tank (accessory)
- 8) Water tank drain plug (on both sides)
- 9) Electrical or hydraulics water pump (accessory)
- 10) Hose reel and pressure washer (accessory)
- 11) Connection
- 12) Floating mechanism with plugs
- 13) Support wheel
- 14) Side broom (accessory)
- 15) Hydraulics and water feed-through
- 16) Filling plug for water tank (2)
- 17) Lift hole for water tank (Note! The lifting hook can only bear the weight of the tank, not the sweeper.)
- 18) Mudguard
- 19) Sluicing pipe or high-pressure water pipe (accessory)
- 20) Brush motor
- 21) Bearing stand (models C190 and C220L) or brush motor (model C220 and C250)

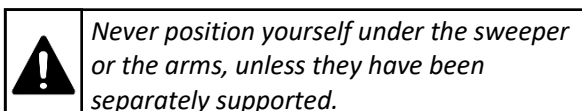
## 6 CONNECTING THE SWEEPER TO THE VEHICLE

This section covers the safe attachment and detachment methods for the rotating Circulus bucket sweeper. By observing these instructions, you can safely connect and disconnect the sweeper.

### 6.1 ATTACHING THE SWEEPER

It is recommended that you attach the sweeper on a level surface, as a slanted surface makes the process more difficult, and may result in the device being damaged.

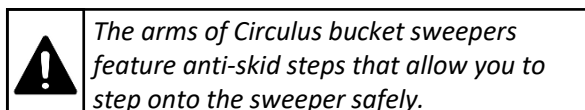
Engage the handbrake for the duration of the connection process, in order to ensure that it is safe to position yourself between the sweeper and vehicle.



When connecting the device for the first time, ensure that the quick fastening hooks fit their intended slots and that the locking pins can be properly locked into place. Also adjust the height limiters at a suitable level. It is advisable to check the connection and the height limiter adjustments before each use.

Begin connecting the hydraulics by ensuring that the hydraulic system is depressurised.

Next, clean the quick connectors of the sweeper and vehicle. Connect the hoses and electrical cables, as shown in section 8 (Technical data). It is recommended to mark the hoses with colours to facilitate reconnection. It is recommended to connect the hydraulics from the top of the sweeper.



### 6.2 DETACHING THE SWEEPER

Remember to engage the handbrake for the duration of the connection process. Never position yourself under the sweeper or the arms, unless they have been separately supported.

First, disconnect the electrical cables and then the hydraulics hoses. It is easiest to disconnect the hydraulics from the top of the sweeper. Remember to protect the quick connectors and the electrical connector against the weather and dirt.

If the sweeper will be in storage for an extended period of time, remember to lubricate it, according to the weekly maintenance instructions (section 7.3), before disconnection. Use all the device's movements to ensure a thorough lubrication.

## 6.3 ADJUSTING THE SWEEPER

### Adjusting the main brush

Adjust the height of the brush roller by allowing the discs to press against the ground by 1–2 cm. If the discs are in heavier contact with the ground, they will wear down. Adjust the brush height by turning the adjustment screws on the side of the arms (see Figure 2, no. 3). The correct disc height is shown in Figure 4.

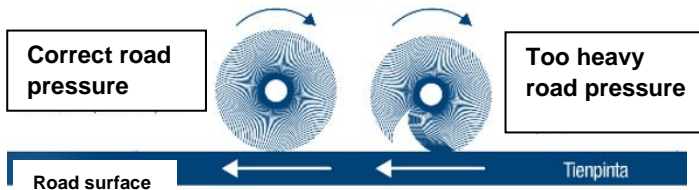


Figure 4 Correct sweeping pressure! Sweep with the tips of the bristles!

Too much pressure! Pressing too hard reduces the service life of the brush!

Adjust both ends at the same height, or the discs will wear unevenly. Remember to lock the adjustment mechanism by using the nut in the adjustment bolts.

### Rotation speed adjustment

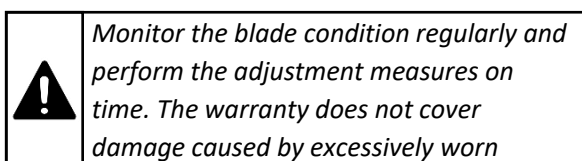
Adjust the rotation speed of the brush roller and the side brush by using the flow adjustment valves on top of the bucket sweeper. You can also adjust the speed of the lifting mechanism with the blue controller next to the adjustment valve.

### Turning/replacing the blades

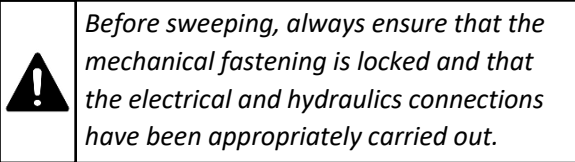
It is easiest to replace/adjust the blades when the bucket sweeper has been lifted up and the bucket or the vehicle arms are supported.

1. Engage the vehicle's handbrake.
2. Lift the bucket sweeper to the appropriate height.
3. Support the bucket or vehicle arms in such a way that the bucket cannot move.
4. Turn off the ignition.
5. Remove the blade fastening bolts and detach the blades (take care to ensure that the blade does not fall on you).
6. Turn or replace the blades and fasten securely.

Monitor the blades for signs of wear regularly. Dry asphalt and crushed stone cause the blades to wear down quickly. Replacing the blades early will protect the bucket from wearing down.



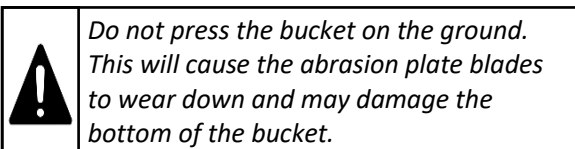
## 6.4 SWEEPING



You can move the rotating Circulus bucket sweeper forwards, backwards or sideways. The best results are achieved by driving with the brush disc last.

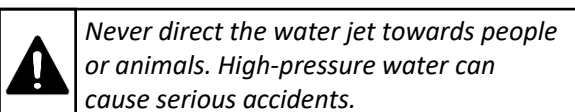
All Circulus bucket sweepers are equipped with a support wheel that ensures the correct brush position at all times. However, ensure that the brush can float both up and downwards during sweeping. This improves the sweeping result and extends the service life of the abrasion plates.

Circulus bucket sweepers can also be rotated during sweeping. Often, this makes it easier to sweep the area by the edges. However, it is important not to press the brush against the ground when turning (the brush must be allowed to float both up and downwards).



## 6.5 USING THE HIGH-PRESSURE DUST SUPPRESSION SYSTEM

Sweepers can be equipped with a high-pressure dust suppression system (accessory), which makes sweeping virtually dust-free. In addition to dust suppression, the system can be used for pressure washing during sweeping.



### Using the high-pressure pump for the first time:

Adjust the water pressure of the high-pressure pump before operation. The adjustment instructions are below.

1. The nozzles of the sweeper must be activated (Figure 5) (valve 2 in position A). Note! Valve 2 is only installed on sweepers that have a washing gun and hose reel, in addition to the high-pressure pump.
2. Connect the electrical reel on the adjustment mechanism (the pump is switched on).

3. Turn the ON/OFF valve (Figure 6) anticlockwise to the OFF position. This will switch the sweeping mechanism off.
4. Switch the hydraulics on and check the water pressure.
5. The water pressure range is 40–180 bar (Figure 8). The recommended sweeping pressure is 60–100 bar. Control the water pressure with the screws (number 1 in Figure 7). Turn the screws with an 8-mm hexagon spanner.

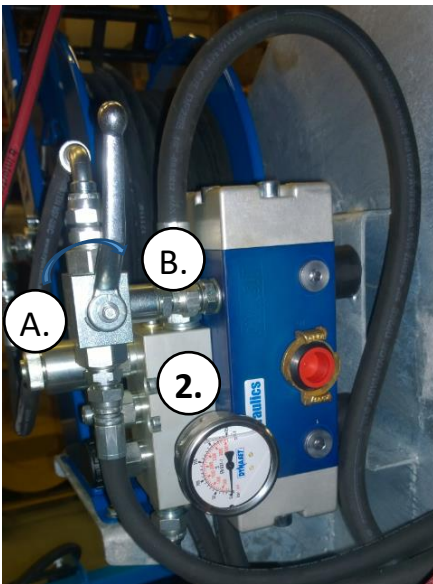


Figure 5

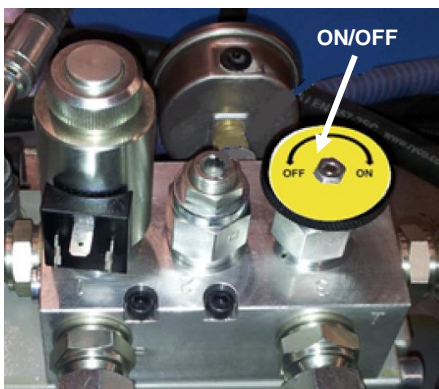


Figure 6

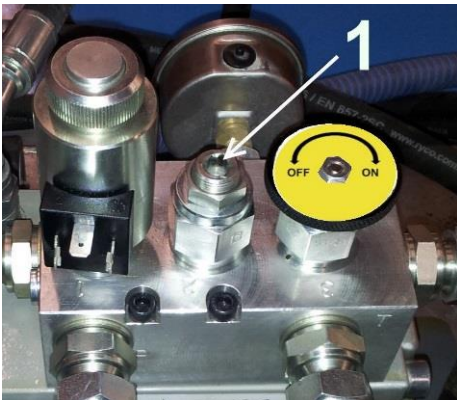


Figure 7



Figure 8

	<p><i>The water pressure of the pressure pump may not exceed 200 bar under any circumstances.</i></p>
--	---

**Using the high-pressure pump during sweeping:**

Check the water pressure before operation by reading the meter on top of the pump. The operating range of the high-pressure water pump during sweeping is 40–180 bar. High water pressure increases the amount of water mist, but it also increases consumption. The recommended pressure during sweeping is 60–100 bar.

Note! The water pressure during operation also affects the water pressure of the washing gun. Therefore, please take care to check the water pressure both when the control switch is on and off.

Connecting the electrical valve activates the high-pressure nozzles. Valve 2 (Figure 2) must be in position A.

**Using the high-pressure washing gun:**

When you are using only the washing gun, turn the rotation hydraulics of the brush off by turning the control switch on the pump (Figure 6). Activate the washing gun by turning the valve (number 2 in Figure 5) to position B.

Valve 2 (Figure 5) activates the washing nozzles (position A) or the manual washer (position B).

**Storing the washer in cold weather:**

Drain the washer after use or fill it with windscreen washing fluid (this is the better alternative), if it is to be stored at temperatures below +1°C!

**Draining instructions:**

- Remove the draining plug from the bottom of the water tank.
- Allow the pump to run with valve 2 in position A (Figure 5) until all the water is drained from the nozzles.
- Turn valve 2 to position B and pull the trigger. Allow the pump to run until all the water is drained from the washing gun.

**Filling with washing fluid:**

- Remove the draining plug from the bottom of the water tank.
- Extract the suction hose from the water tank and place it in a container with windscreen washing fluid (resistant to temperatures of up to -35°C).
- 
- Use the pump for the brush nozzles until washing fluid comes out of the nozzles.
- Turn the ball valve to the washing gun position and use the gun until only washing fluid comes out of it.
- Freezing water will damage the hose reel and washer. Thus, it is important to drain the system and fill it with washing fluid, if the sweeper is to be stored at temperatures below +1°C.
- The warranty does not cover equipment damage caused by freezing!

## 6.6 USING THE IRRIGATION SYSTEM

A normal irrigation system is also available for sweepers. This section covers the use of the irrigation system.

The irrigation system of a bucket sweeper is active when water is added to the tank and the power is connected to the water pump (red + and black -). Remember to check the pump's voltage before connection. When connecting the water pump, it is also advisable to install a fuse (10A) in the red + cable as close to the battery as possible, to prevent vehicle fire.

## 6.7 DRIVING THE VEHICLE TO ANOTHER LOCATION




*Exercise great caution when driving the sweeper to another location. Read the text below and prevent the sweeper from*

IMPORTANT: Raise the sweeper high and check its condition before setting off. Reduce the speed if the road is uneven. Excessive speed will damage the sweeper.

The connection is located higher in rotating sweepers than in standard devices. Therefore, take special caution to ensure that the device does not touch the ground. Furthermore, ensure that you are able to see forward also when driving the vehicle to another location.

## 7 MAINTENANCE

### 7.1 GENERAL

	<p><b><i>Observe the following instructions!</i></b></p> <ul style="list-style-type: none"> <li>• When performing maintenance or repair measures, observe all safety-related laws, decrees and regulations, as well as the safety instructions in this manual.</li> <li>• Park the vehicle on an even and firm surface.</li> <li>• Lower the sweeper to rest on the wheel and lip plate.</li> <li>• Prevent the vehicle from moving.</li> <li>• Stop the motor of the vehicle and remove the ignition key.</li> <li>• Only use appropriate and suitable tools that are in good condition.</li> <li>• Observe a safe working procedure under all circumstances and dress appropriately for the work tasks.</li> <li>• Wear eye protection and a respirator, if necessary.</li> <li>• Remember to reinstall all covers and safety equipment that may have been removed.</li> <li>• Ensure that all labels of the machine are in good condition after the maintenance work. Replace damaged labels with new ones.</li> <li>• Collect waste oil, liquids and used filters, and deliver them to a processing plant for hazardous waste.</li> <li>• Do not allow oil or other fluids to spill on the ground, and take care of your environment.</li> </ul>
---	--

## 7.2 DAILY MAINTENANCE

It is recommended to check the sweeper on a daily basis to prevent problems.

The daily maintenance measures encompass the following inspections:

- Check the wear of the brush discs.
- Check the wear of the lip plate and replace the plate, if necessary.
- Check that there are no leaks in the hydraulics and that the hoses are in good condition.
- Check the overall mechanical condition of the sweeper.
- Adjust the sweeper height to an appropriate level.
- Check the height of the side brush (accessory).

## 7.3 WEEKLY MAINTENANCE

In addition to daily maintenance, conduct the following measures.

- Check the tension of the fastening bolts of the joints and tighten them if necessary.
- Grease all lubrication points in accordance with Figure 9.
- The recommended lubricant is Neste OH GREASE or similar (not for the rotating wheel).

In a Circulus bucket sweeper, the lubrication points are located as follows (Figure 9):

- A total of eight nipples are located in the rotating mechanism (no. 1). Suitable lubricants for the rotation mechanism are Isoflex NBU 15 or Mobiltemp SHC100.
- The rotating wheel has one nipple (no. 2).
- There are two nipples at the ends of the arms (no. 3).
- There is one nipple on the brush roller bearing (models C150, C190, C220L and C250) (no. 4).

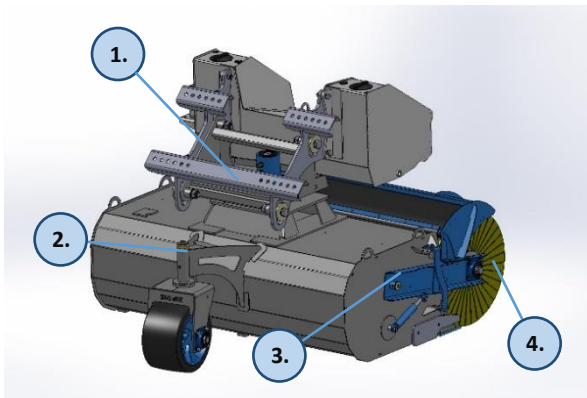


Figure 9

## 7.4 CLEANING THE NOZZLES

The high-pressure nozzles may become blocked, if water is not fed to them continuously. It is easiest to clean the nozzles with an ultrasonic washer, available at well-stocked car shops (average price EUR 40). You can also clean the nozzles with a pin or another sharp object.

Detach the nozzles with a 9/16-inch ring spanner or adjustable spanner. Each nozzle has a filter that can be turned open at the frame of the nozzle.



Figure 10

## 7.5 MAINTENANCE AFTER THE SWEEPING SEASON

We recommend that you perform at least the measures that are listed in sections 7.2 and 7.3. In addition, it is advisable to paint and varnish the sweeper, if the paint coating is badly worn. It is recommended to perform maintenance at the end of the season, so that parts with possible wear can be repaired before they rust.

The code for the grey colour used on the sweepers is RAL7043 and the code for the blue colour is RAL5015. For more thorough painting in the autumn, we recommend a two-component anti-corrosion paint, such as Tikkurila Temadur SC80 or Teknos Teknodur Combi 3430. Please ensure that you clean the surface to be painted with a silicone removal agent before painting.

Remember to drain the water tanks before winter storage! Water expands upon freezing and causes the tank to bulge and possibly rupture. The high-pressure water system must also be drained. For more detailed information, see section 6.5 Replacing the brush discs.

## 7.6 REPLACING THE BRUSH DISCS

Disconnecting the brush roller is straightforward, if you observe the following instructions.

### Disconnecting the brush roller (C190 AND C220L):

1. Lower the brush roller to the ground.
2. Turn off the vehicle and engage the handbrake.
3. Detach the four fastening bolts on the motor (Figure 11).
4. Detach the two bearing fastening bolts.
5. Pull the motor outward to release the roller. (You do not need to detach the hoses).

### Disconnecting the brush roller (C220 and C250):

1. Lower the brush roller to the ground.
2. Turn off the vehicle and engage the handbrake.
3. Detach (four bolts/motor) (Figure 11).
4. Pull the motor outwards to release the roller. (You do not need to detach the hoses).

### Replacing the brush discs (C190 AND C220L):

It is not necessary to remove the flange bearing when replacing the discs. Only remove the four M10 bolts behind the bearing (Figure 12). The discs can be removed after removing the flange shaft from the roller.

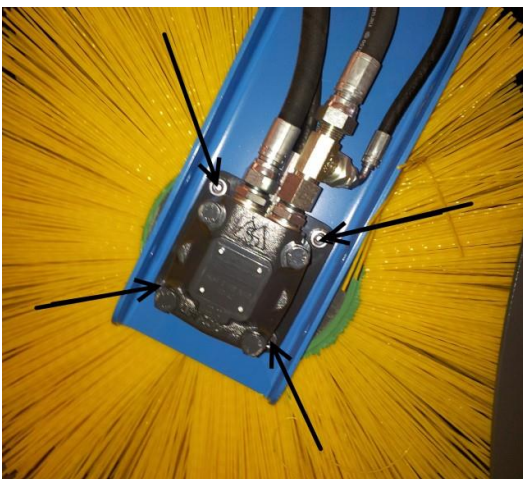


Figure 11

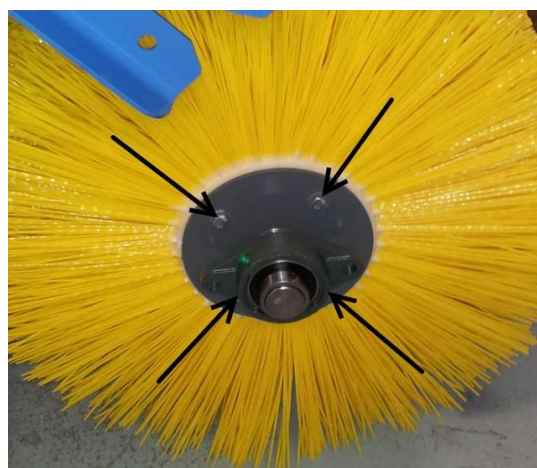


Figure 12

**Replacing the brush discs (C220 and C250):**

The brush discs of model C220 are replaced as described above, but in this model, a simple flange is used in place of the flange shaft.

**Installing new brush discs:**

The brush discs feature a small holding nub on the inside rim. Place this in the opposite position in every other disc, as the position of the nub is slightly elevated. If you position all brush discs in the same way, the discs will be slightly slanted.

It is advisable to position the brush roller vertically during the attachment of new brush discs. It is a good idea to place one or two extra brush discs at the roller end (the brush discs protrude 1–2 cm past the brush roller), so that the brush roller is sufficiently compressed when the brush flange is reinstalled on the brush end. This will prevent the holding nubs of the discs from breaking.

## 8 TECHNICAL DATA

### 8.1 HYDRAULICS DIAGRAMS

Sweeper hydraulics vary, depending on the vehicle's properties. This section covers the different hydraulics connections.

#### Hydraulics without side brush

The vehicle must feature one or two double cylinder hydraulics arrangements. If the vehicle uses one double cylinder arrangement, the cabin must be equipped with one on/off switch for electricity. In these options, the hydraulics arrangement is similar to Figure 13 (models C150 and C190 do not have M2 motors). The hydraulics motor of the rotation mechanism is missing from Figure 13.

#### Hydraulics with side brush

In models equipped with a side brush, the side brush motor is connected in series with the other hydraulics motors. The motor has its own flow adjustment valve (Figure 14).

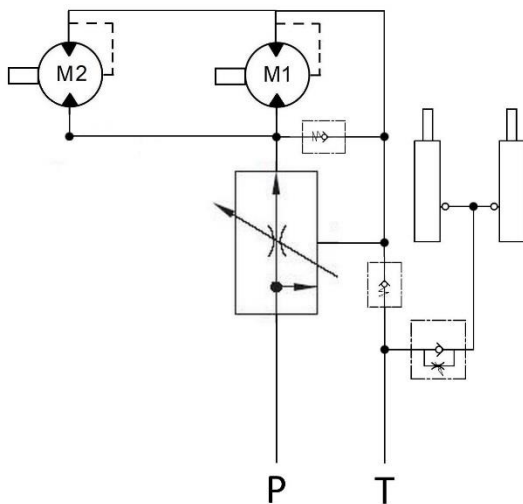


Figure 13

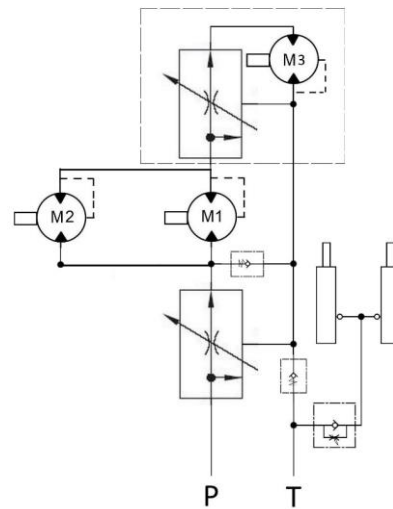


Figure 14

#### Symbols

- M1 = Main brush motor, left
- M2 = Main brush motor, right (C220L, C220 and C250)
- M3 = Side brush motor
- P = Pressure line
- T = Return line

## 8.2 ELECTRICAL DIAGRAMS

This section covers the electrical connection diagrams of the sweepers.

Figure 15 shows the electrical connection diagram for 6/2 valves, which is used in sweepers that have two hoses in the hydraulics connection. Remember to install fuses in the connections, as connections made without a fuse may cause a fire hazard.

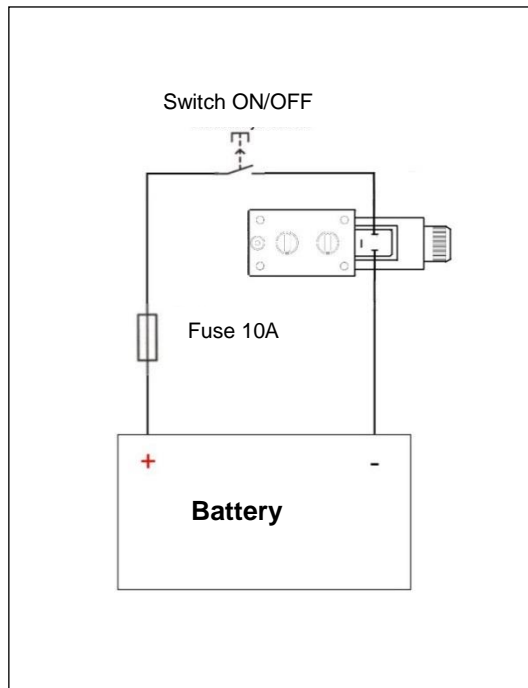


Figure 15

Switch on/off, fuse 10A, BATTERY

The connections of the wiring harnesses supplied with the sweepers have been made, as follows:

**Single-coupling cable:** Brown = plus, blue = minus, green-yellow = extra.

**Two-coupling cable:** black = the plus of the plug at the end of the wire, brown = the plus of the other plug, blue = common minus.

**Three-coupling cable:** Wire 1 = plug A, wire 2 = plug B, wire 3 = plug C, green-yellow = common minus.

The couplings feature LED lights that are lit when power is supplied to the couplings.

## 9 WARRANTY TERMS



TREJON AB  
Företagsvägen 9  
SE - 911 35 Vännäsby

<b>Guarantee- /assignment certificate</b>	
<b>Guarantee terms</b>	- Valid between retailer (Trejon AB dealer) and machine purchaser.
General about guarantee	- In order to obtain valid guarantee terms set forth below, and the specific guarantee terms set by each provider. These are attached to the user manual for each machine, as appropriate.
Validity of guarantee	- The guarantee is 12 months from date of purchase. In some cases, the guarantee can be limited by running time.
The guarantee covers	- Damaged parts, which have broken down because of defective production operations of materials in course of <u>normal use of the machine</u> . - Only the labor cost for replacement of defective warranted part.
The guarantee does <u>not</u> cover	- Transport costs applicable to the machine or the parts. - Travel costs. - Any resulting costs incurred as a result of damage to the machine. - If the machine has been modified by the owner. - Damage due to normal wear and tear of the machine – Not related to manufacturing defects, poor service, user inexperience or use of spare parts that are not original. - Excessive or inappropriate use of the machine. - The guarantee is not applicable to parts which are subject to wear, for example hoses, sealing, oil, belts, batteries, chains, knives etc. - The guarantee period for replaced parts during the guarantee period expires with the machine's guarantee. - Normal adjustments, maintenance or supervision
Guarantee procedures	- Contact place of purchase as soon as any damage or malfunction is detected. Do not use the machine if the damage can be worse. - Guarantee repairs must be performed by Trejon AB approved workshop.
<b>ATTENTION!</b>	<b>The guarantee shall enter into force provided that the machine GUARANTEE/ ASSIGNMENT CERTIFICATE has been fully completed and signed by both parties (archived by the seller), and recorded on the Trejon web portal no later than 14 days from date of sale (the seller is responsible for this happening).</b>
<b>Assignment certificate:</b>	
Machine Buyer shall confirm with his signature that he had received manual containing operating instructions, and received information about the operating, security and maintenance requirements described in this and made the final inspection of the machine.	
PLEASE FILL IN! 	
Product: _____	Serialno. _____
Salesman: _____	Company: _____
Signature of salesman: _____	Date of purchase: _____
Name of buyer: _____	Telephone: _____
E-mail: _____	
Address: _____	Zipcode: _____
City: _____	Country: _____
Date: _____	Signature of buyer: _____

Product serial number

Date of manufacture



**OPTIMAL**